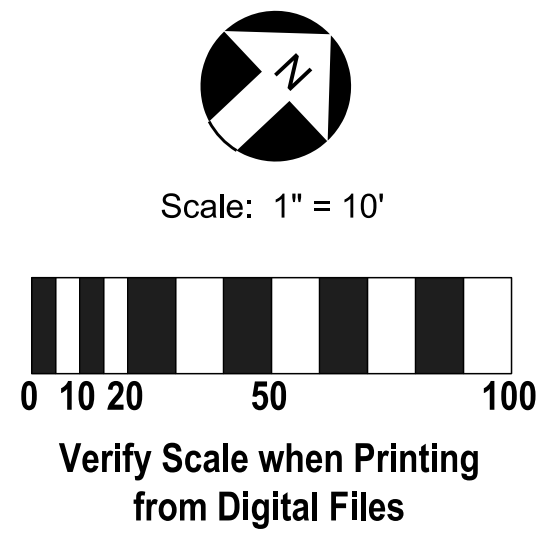
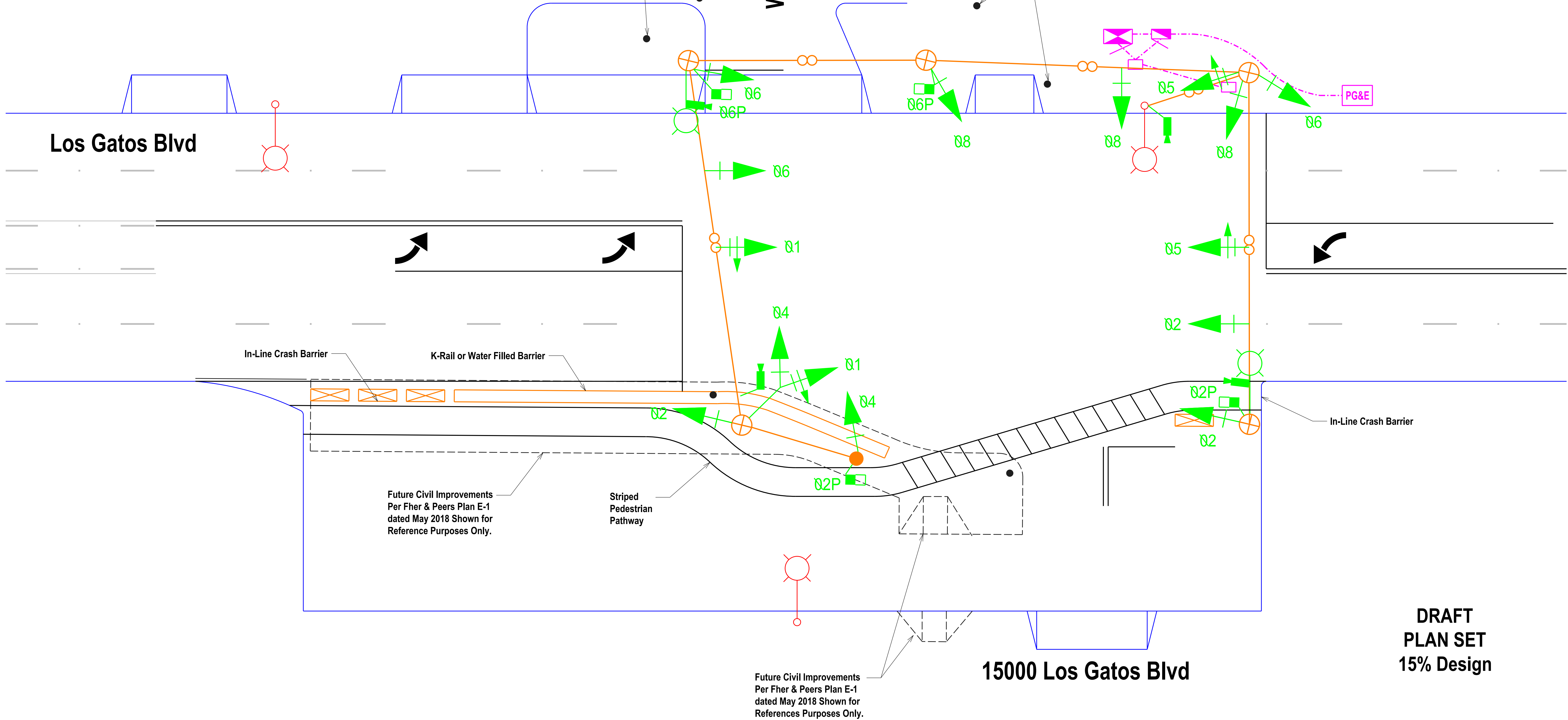
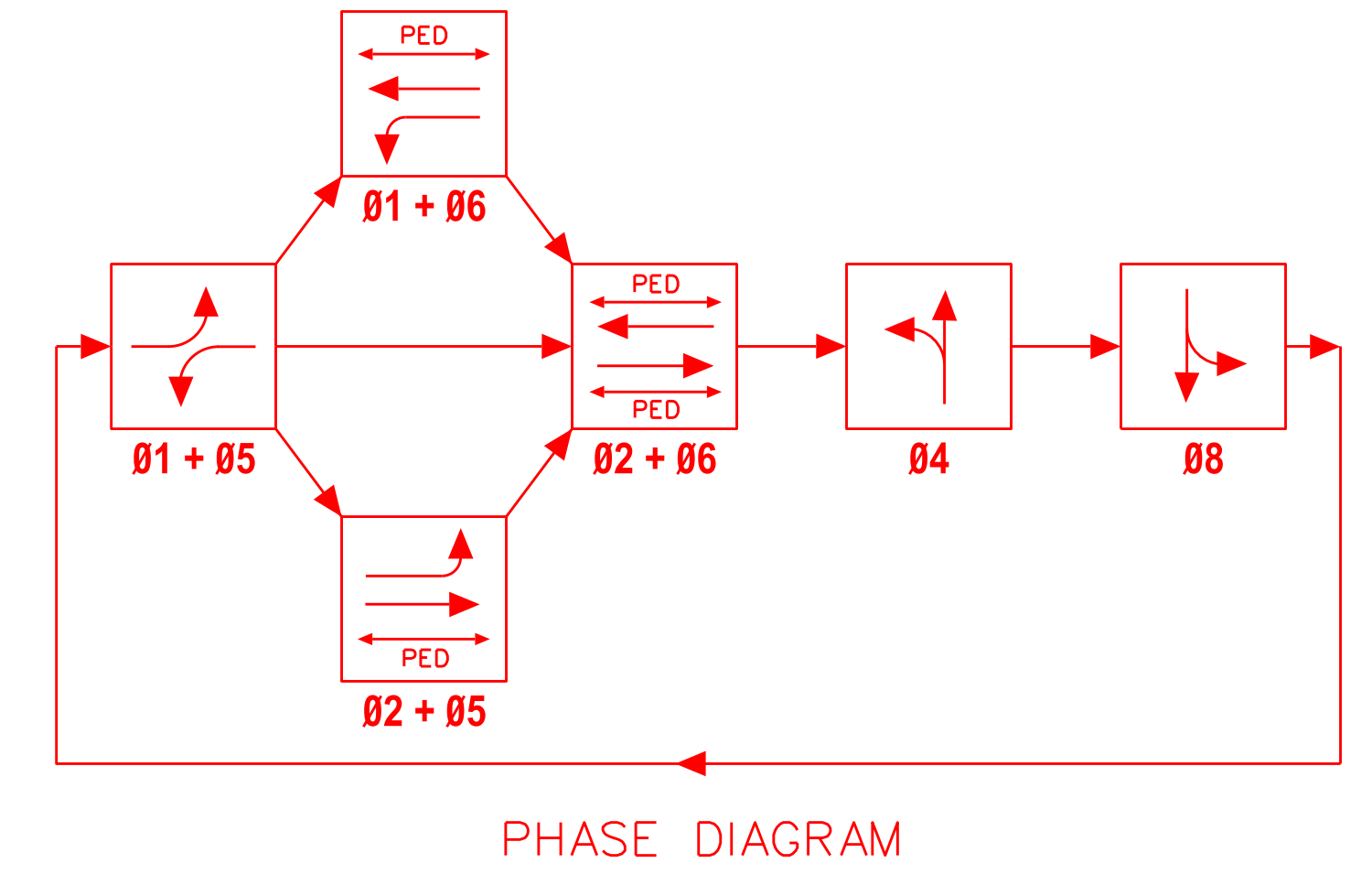


Temporary Traffic Signal Installation Plan
 Los Gatos Boulevard & Walker Street (Future)
 North 40 Construction Access



Walker Street (Future)



**DRAFT
 PLAN SET
 15% Design**

Traffic Patterns
 P.O. Box 25
 Danville, CA 94526
 O: (408) 916-8141
 www.trafficpatterns.net
 info@trafficpatterns.net

Engineer's Stamp
JAMIE O. RODRIGUEZ
 REGISTERED PROFESSIONAL ENGINEER
 TR2284
 Exp: 5-25-18
 STATE OF CALIFORNIA

Record Drawings

Project Engineer:	_____	Date:	_____
Designer:	_____	Date:	_____
Public Works Inspector:	_____	Date:	_____

Public Improvements Initially Accepted by the City Council on: _____

Submittal Log

NO.	DESCRIPTION	DATE
1	15% Plan - Equipment Layout	5-22-18

DRAWN BY:	J. Rodriguez	Date:	5-22-18
CHECKED BY:	Bear Electrical	Date:	5-22-18
DESIGNED BY:	J. Rodriguez	Date:	5-22-18

Revisions

NO.	DESCRIPTION	DATE

Town of Los Gatos
 Los Gatos Blvd & Walker St (Future)
 Temporary Traffic Signal Installation
 Traffic Signal Equipment Layout

RECOMMENDED FOR BIDDING BY: _____	PROJECT NO. _____
DATE: _____	DRAWING NO. _____
APPROVED FOR BIDDING BY: _____	E.P. NO. _____
DATE: _____	SCALE 1" = 10'
	Sheet TS-1